

SUBMERSIBLE MIXER

EM

SERIES 50HZ



Features

- The angular contact ball bearing resists to axial force
- Compact design
- More efficient bulk flow

Applications

- Biological treatment tanks
- Lime slurry storage tanks
- Heat exchanger
- Ponds and rivers water circulations
- Equalization tanks

Data Chart

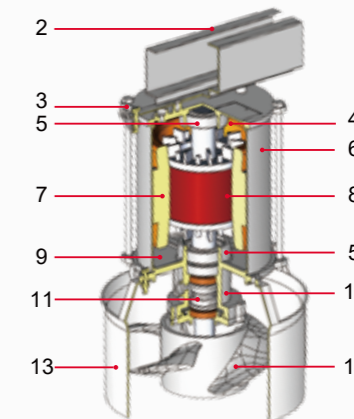
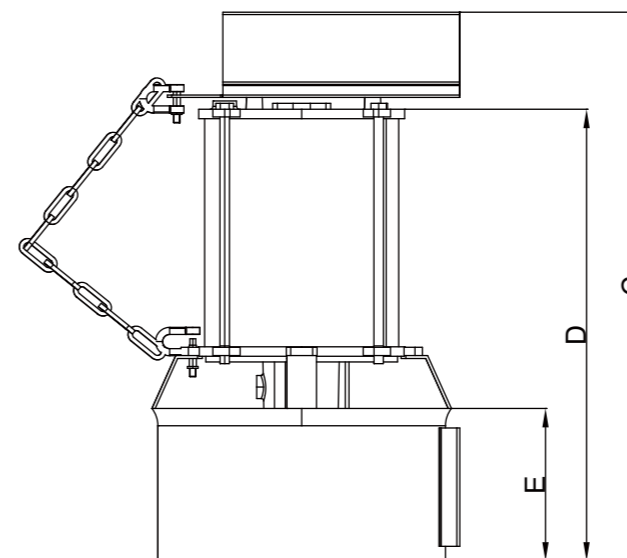
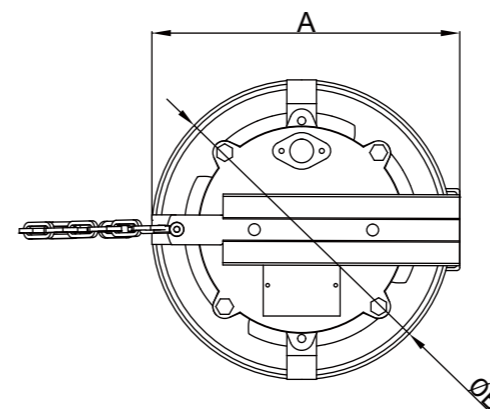
Type	Output		F.L.A.		Maximum Cap. M ³ /Min	Cable M	Weight(W/O Cable)		Speed R.P.M
	HP	kW	1ø 230V	3ø 400V			1ø-kg	3ø-kg	
EM-5.10	1	0.75	-	3.5A	3.2	6	-	23.4	950
EM-5.20	2	1.5	-	3.5A	4.5	6	-	23.4	950
EM-5.30	3	2.2	-	4A	6.8	6	-	30	950

Specifications

Liquid Temperature		0~40°C (32~104°F)
Submersible depth		6M
Motor Part	Frequency	50Hz
	Pole	6 Pole
	Type	Dry Type
	Insulation	Class F
Pump Part	Protection	IP 68
	Protector	Auto-cut
	Bearing	Ball Type
	Mechanical seal	Double Mechanical Seal
	Impeller	Open Impeller



Open Impeller



Parts and Material List

No.	Part	Material
1	Sliding Seat	AISI 304
2	Bearing Cover	AISI 304
3	Thermal Protector	KLIXON
4	Bearing	NTN/TPI
5	Motor Frame	AISI 304
6	Stator	
7	Shaft with Rotor	AISI 304
8	Seal Housing	AISI 304
9	Mechanical Seal	Upper: CA/CE Lower: SIC/SIC
11	Seal Bracket	AISI 304
12	Jet Ring	AISI 304
13	Impeller	AISI 304

TPI is a family brand of NTN group.

Dimensions (mm)

Type	A	B	C	D	E
EM-5.10	263	253	466	383	130
EM-5.20	263	253	466	383	130
EM-5.30	314	300	526	444	150

