

SUBMERSIBLE EFFLUENT PUMP

EF SERIES 50HZ



EF 0.5~1HP

Semi-Open impeller

Features

- Compact design
- Light weight
- With high efficiency impeller
- Reliable shaft sealing provided by EKK Eagle Burgmann double mechanical seal

Applications

- Light duty
- Basement drainage
- Rainwater effluent
- Accumulated water drainage

Data Chart

Type	Output		Discharge	F.L.A.		Rated		Maximum		Free Passage	Weight(W/O Cable)		Q.D.C.
	HP	kW		1ø 230V	3ø 400V	Head M	Cap. LPM	Head M	Cap. LPM		mm	1ø-kg	
EF-5.05	0.5	0.37	2"	4.1A	1.3A	6	150	9.5	260	5	11.7	11.4	-
EF-5.10	1	0.75	2"	5.2A	2.1A	8	150	11	400	5	18.5	18.2	-
EF-5.20	2	1.5	2"(3")	11.3A	3.5A	10	400	15.5	650	5.5	35	34.9	QM-80
EF-5.30	3	2.2	2"(3")	14A	5.2A	15	440	21	800	5.5	39.1	35.4	QM-80
EF-5.50	5	3.7	3"(4")	-	8.2A	18	530	27	950	5.5	-	53.2	QM-100
EF-5.75	7.5	5.5	3"(4")	-	11.5A	20	600	31	1000	5.5	-	59.2	QM-100

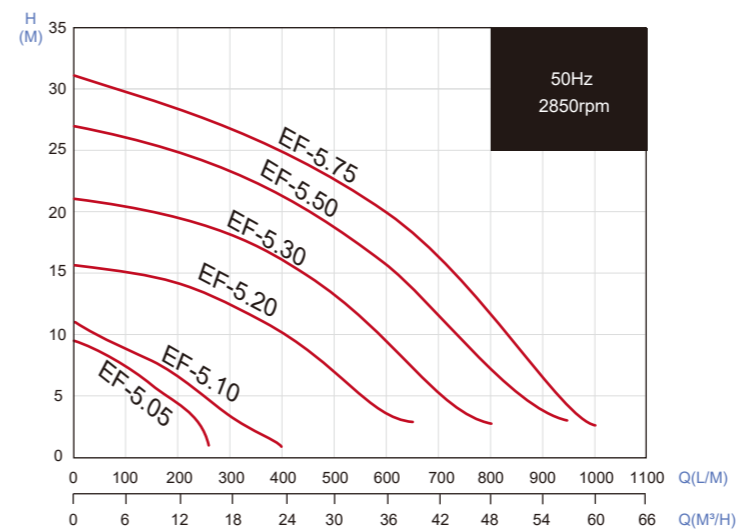
» EF-5.05 : Thread Type
» EF-5.20~30 : Elbow Type

» EF-5.10 : Thread Type / Elbow Type is optional.(2" or 3" / Fit with Q.D.C. QM-80)
» EF-5.50~75 : Elbow Type

Specifications

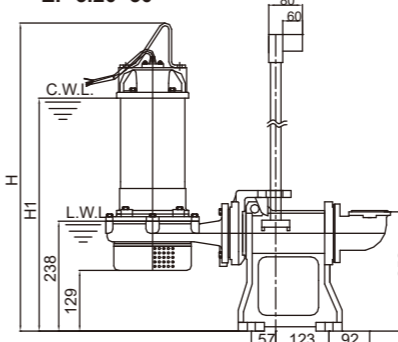
Liquid Temperature		0~40°C (32~104°F)
Submersible depth		10M
Motor Part	Frequency	50Hz
	Pole	2 Pole
	Type	Dry Type
	Insulation	0.5~3HP:Class B;5~7.5HP:Class F
Pump Part	Protection	IP 68
	Protector	Auto-cut
	Bearing	Ball Type
	Mechanical seal	Double Mechanical Seal
	Impeller	Semi-Open Impeller

Performance Curve



All technical information is subject to change without notice.

EF-5.20~30



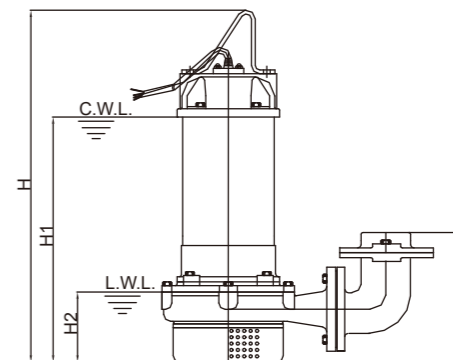
EF with QM

Type	Output		Discharge		Dimensions(mm)	
	HP	kW	Inch	mm	H	H1
EF with QM	1	0.75	2"(3")	50(80)	610	466
	2	1.5	2"(3")	50(80)	695	525
	3	2.2	2"(3")	50(80)	S:735;T:715	S:565;T:545
	5	3.7	3"(4")	80(100)	765	587
	7.5	5.5	3"(4")	80(100)	805	627

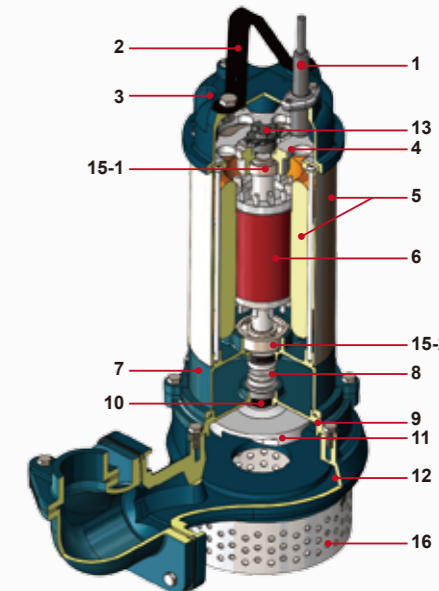
»Above 1HP dimensions is for Elbow type pump casing.



EF-5.50~75 with QM Q.D.C.



EF-5.50~75



Parts and Material List

No.	Part	Material
1	Cable	H07RN-F /SJTOW/STOW
2	Handle	Nylon 6 / ASTM A36
3	Motor Cover	Nylon 66 / EN-GJL-200
4	Bracket	EN-GJL-200
5	Motor Housing + Stator	AISI 304
6	Shaft with Rotor	AISI 410
7	Oil Chamber	EN-GJL-200
8	Mechanical Seal	0.5~3HP:Upper: CA/CE ; Lower : CA/CE 5~7.5HP:Upper: CA/CE ; Lower: SIC/SIC
9	Seal Housing	Nylon / EN-GJL-200
10	Lip Seal	NBR
11	Impeller	EN-GJL-200
12	Pump Casing	EN-GJL-200
13	Protector	KLIXON
15-1	Upper Bearing	NTN/TPI
15-2	Lower Bearing	NTN/TPI
16	Strainer	AISI 304

TPI is a family brand of NTN group.

Dimensions (mm)

Type	A	A1	A2	A3	B	B1	B2	H	H1	H2	H3
EF-5.05	229	70	123	N/A	141	66	75	350	250	79	100
EF-5.10	229	70	123	N/A	141	66	75	380	285	79	100
*EF-5.10	325	80	192	110	165	75	90	398	273	97	147
EF-5.20	403	103	250	168	212	103	109	555	385	110	163
EF-5.30S(T)	403	103	250	168	212	103	109	S:595;T:575	S:425;T:405	110	163
EF-5.50	466	110	264	176	227	110	117	605	440	132	3":225;4"220
EF-5.75	466	110	264	176	227	110	117	645	480	132	3":225;4"220

» S identifies single phase ; T identifies three phase.
» *EF-5.10 is Elbow Type.

» Q.D.C.(Quick Discharge Connection) is available only for Elbow type.
» Automatic models are available in single-phase versions(0.5~2HP) and in three-phase versions(0.5~2HP).